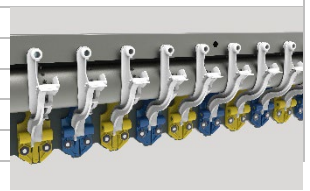
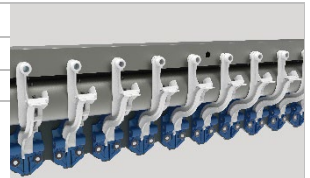
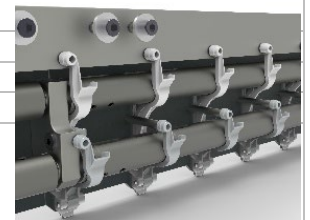



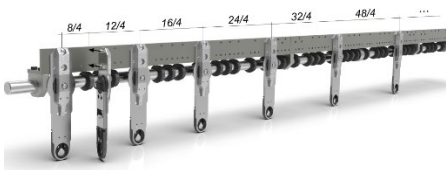

<b>Attachment</b>	<b>Sequins, double sequins</b>
	<b>Cord &amp; ribbon</b>
	<b>ThermoCut LTC TH</b>
<b>Machine types</b>	<b>LÄSSER embroidery machines from MVD, for all machine lengths</b>

		Sequins - Attachment					
<b>Repeat (standard)</b>	4/4						
<b>Sequin sizes [ø]</b>	3	4	5	7	9		
<b>Repeat (alternating)</b>	8/4						
<b>Sequin sizes [ø]</b>	3/4	3/5	3/7	3/9			
	4/5	4/7	4/9				
	5/7	5/9					
	7/9						



		Double sequins - Attachment			
<b>Repeat (standard)</b>	4/4				
<b>Sequin sizes [ø]</b>	3/3	4/4	5/5	7/7	
<b>Repeat (alternating)</b>	8/4				
<b>Sequin sizes [ø]</b>	3/4	3/5			
	4/5	4/7			
	5/7				



Cord & ribbon - Attachment		
Repeat	8/4	 
Soutache brake/reverse adjust -function (SCS)		

ThermoCut LTC TH - Attachment		
Repeat	24/4	 

Technical data CLASSIC 2 EN  
 Subject to technical modifications 12/25